

Knight®

Product Details

Evo Express



Evo Express



AVAILABLE IN

Highback HB

FEATURES

- 3-lever ergonomic mechanism
- Molded high-density foam backrest with lumbar support
- Spacious Luxe seat 530W x 500D x 70H
- Lifetime guarantee on gaslift
- Reinforced nylon/fibreglass base
- Unhooded 60mm soft-wheel castors

The Evo Express brings all the comfort and support of our popular Evo Luxe into a ready-to-assemble package, perfect for fast, flexible fit-outs. Its generously proportioned Luxe seat and ergonomic 3 lever mechanism deliver all-day comfort, while the high-density foam backrest with lumbar support keeps posture in check. Strong, smooth-rolling, and built to last, this is smart seating that's ready when you are.



15 YEAR WARRANTY



160 KG RATING



10+ HOUR COMFORT

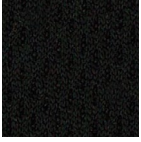


QUICKSHIP KD24 ASS48



FINISHES

BREATHE



BLACK

ERGONOMIC ADJUSTMENT

Seat Height

Seat Tilt

Back Tilt

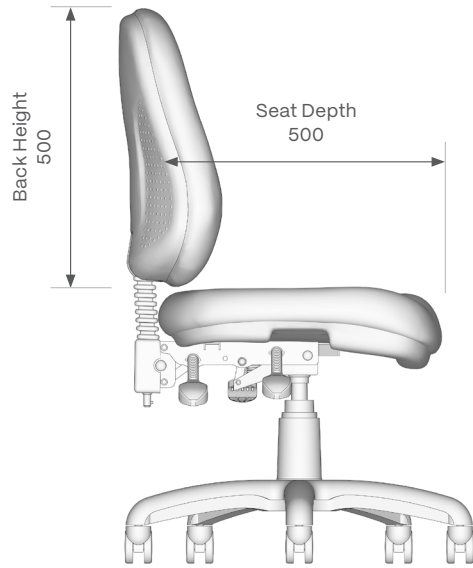
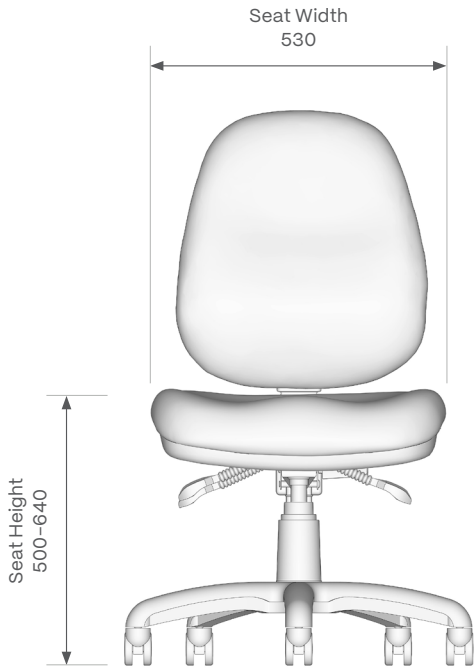
Back Height

DIMENSIONS (MM)

Seat H	500-640
Seat W	530
Seat D	500
Back H	500

Please note that the warranty does not apply to fabric, mesh & textiles.

DIMENSIONS (MM)



Smarter Workspaces

NEW PLYMOUTH
Head Office/Showroom
59 Rimu Street
New Plymouth 4312

AUCKLAND
Showroom
Appointment only

0800 143 143
info@knightgroup.co.nz