

BURO

NAVIGATOR

GAMING CHAIR



USER
GUIDE

BUROSEATING.COM

buro x  **PowerA™**
ergonomics at work®

THE BURO X POWERA COLLABORATION

Buro combines over 30 years of ergonomic expertise with intelligent design - creating chairs that support your well-being. **PowerA** is a global leader in video gaming accessories with a mission to bring gamers of all levels memorable experiences that enhance the fun and excitement of gaming.

Now these brands have teamed up to keep gamers in the zone - with better posture and lasting focus, so gamers and creators can do what they love, for longer.

THANK YOU FOR CHOOSING THE BURO NAVIGATOR ERGONOMIC GAMING CHAIR

Navigate new worlds in style and comfort with the Buro Navigator Gaming Chair. Dial in your perfect lean with backrest angle adjustment and rely on fully adjustable 4D armrests to support even the longest gaming marathons. Backed by a 5-year guarantee and endorsed by the Australian Physiotherapy Association.

FEATURES OF YOUR CHAIR

- High back with built-in headrest
- Backrest angle adjustment and knee tilt to control your ultimate playing position
- Upholstered back and seat with moulded foam for superior comfort
- Synchro mechanism enables optimum posture and natural movement
- Tilt tension knob to fine-tune resistance when leaning back in your seat
- Body weight activated lumbar support, protects the natural curve of your lower back
- 4D armrests with soft PU arm pads enhance support during long gaming sessions

- Sturdy nylon base with kick plates to rest your feet
- 60mm PU decorative castors.

CERTIFICATIONS

- **GREENGUARD Gold** certification
- Endorsed by the **Australian Physiotherapy Association**
- Certified to **ANSI/BIFMA x5.1-2017** General-Purpose Office Chairs
- **FSC® 100%** certified wood.



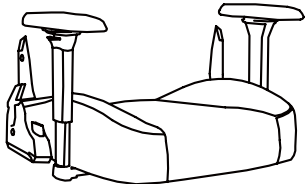


WHAT'S IN THE BOX

IMPORTANT: Remove all items from the carton. Verify all pieces before assembly.



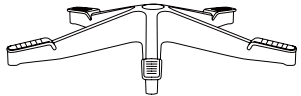
A Back (x1)



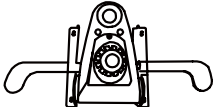
B Seat & Arms (x1)



C Gas Lift (x1)



D Base (x1)



E Mechanism (x1)



F Castors (x5)



G Allen Key (x1)



H Plastic Cap (x2)



I Washers 20MM (x8)



J Backrest Screws M8 x 20MM (x4)



K Mechanism Screws M8 x 25MM (x4)



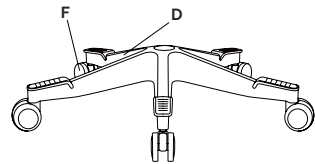
L Backrest Screws M5 x 12MM (x2)



M Hinge Cover (x2)

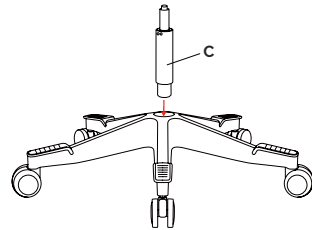
ASSEMBLY GUIDE

STEP 1



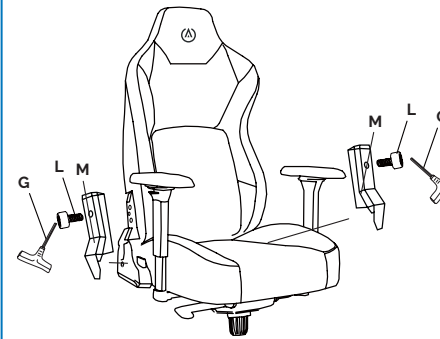
Insert the five castors firmly into the base.

STEP 2



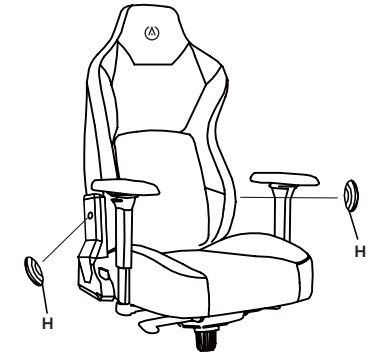
Turn the base upright and insert the gas lift into the base.

STEP 5



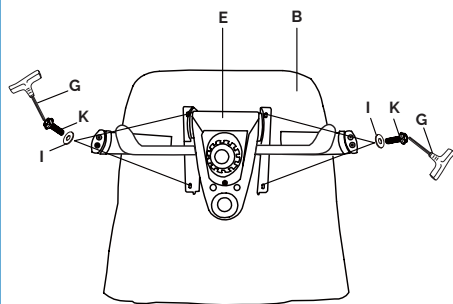
Attach hinge covers to each side using a M5 x 12 screw.

STEP 6



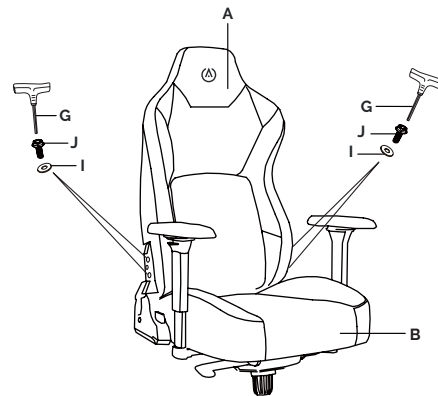
Attach a plastic cap to the hinge cover on each side.

STEP 3



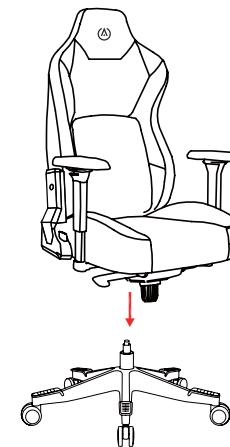
Attach the mechanism to the seat, with a M8 x 25 screw and 20mm washer on each corner of the mechanism.

STEP 4



Attach the backrest to the seat with two M8 x 20 screws and washers on each side.

STEP 7



Carefully position the seat on to the gas lift. Sit and press down to engage the gas lift.

Scan for
assembly
video.



LEVEL UP YOUR COMFORT

Take a few minutes to set up your new **Buro Navigator Gaming Chair** so it's perfectly tuned to your body. That way, you'll get the full benefit of its awesome ergonomic features and support.

Follow the step-by-step guide below to dial in your setup for maximum comfort, and next-level gaming sessions.

IMPORTANT: Do not operate the mechanism levers unless properly seated in the chair.

1. Adjustable Seat Height

To adjust the height of the chair, locate the paddle (1) on the front right-hand side. To raise the seat, firmly lift the paddle while standing and release at your desired height. To lower the seat, lift the paddle while seated and release at your desired height.



2. Body Weight Tilt Tension Adjustment

To adjust the tension of the back tilt function, locate the knob (2) underneath the chair. Turn the knob anticlockwise to lessen the back tension or turn the knob clockwise to increase the back tension, until it is nicely balanced for your body weight.



3. Knee Tilt Adjustment

To adjust the knee tilt, locate the paddle (3) on the front left-hand side. Lift the paddle to unlock, activating the free-floating function. Push the paddle down to lock the knee tilt at your desired angle. We recommend using the free-floating function to encourage natural movement



4. Adjustable Armrests

To adjust the height of the arms, press the button (4a) located on the outside of the armrest and raise or lower the arm. To adjust the depth of the armrests, press the button (4b) on the inside of the armrest and slide the armrest forward or backwards. To adjust the angle of the armrests, press the button (4b) on the inside of the armrests and swivel the armrests left or right.



5. Body-weight Activated Lumbar Support

The lumbar support is activated when pressure from your back engages with the seat. The lumbar support will move with you, continuously supporting your back and spine.



6. Backrest Adjustment

Use the independent lever on the right-hand side of your seat to change the angle of the back and lock in your chosen position.



CARE & MAINTENANCE

GENERAL CARE

- To maintain the appearance of non-upholstered parts wipe the surface with a clean cloth dampened with a mild detergent solution.
- Do not remove any parts for separate cleaning
- Do not saturate the fabric or interior with water or other cleaning liquids.
- Do not shampoo clean.
- Do not clean with hot water extraction machine.
- Do not clean with onsite drycleaning machine.
- Protect from direct sunlight, heat and weather.

PU/PVC UPHOLSTERY CARE

- Wipe with a clean cloth dampened with a mild upholstery detergent solution.
- Use only vinyl care products suitable for upholstery vinyl and strictly in accordance with the manufacturer's instructions.
- Spot clean as above.
- Treat spills and stains as soon as possible.
- Persistent stains may require treatment by a professional cleaner.
- Allow to dry thoroughly before reuse.

UPHOLSTERY & FOAM SPECS

Foam

Flame Resistant: Ca117 Section A Part I & Section D Part II

Upholstery: PU/PVC

Flame Resistance: Ca117 Section E Class I

PREVENTATIVE MAINTENANCE & WARNING

- Use this product only for seating one person at a time.
- Do not use this chair as a step stool/ladder.
- Do not sit on any part of the chair except the seat.
- Do not use this chair on uneven floor surfaces.
- Do not interfere with the operating of the gas lift.
- Do not use chair unless all bolts, screws and knobs are tight.
- At least every six months check all bolts, screws and knobs to ensure they are tight.
- If any parts are missing, broken, damaged or worn do not use the product until repairs are made using factory authorised parts.
- Dispose of packaging properly.
- Plastic bag is not a toy.
- Do not use plastic bag as a head covering as it may cause suffocation.
- Failure to follow these warnings could result in serious injury.





Register your Buro Navigator Gaming Chair for our comprehensive guarantee.



Endorsed by:

