

BURO
RAIDER

GAMING CHAIR



USER
GUIDE

BUROSEATING.COM

buro x  **PowerA**TM
ergonomics at work[®]

THE BURO X POWERA COLLABORATION

Buro combines over 30 years of ergonomic expertise with intelligent design - creating chairs that support your well-being. **PowerA** is a global leader in video gaming accessories with a mission to bring gamers of all levels memorable experiences that enhance the fun and excitement of gaming.

Now these brands have teamed up to keep gamers in the zone - with better posture and lasting focus, so gamers and creators can do what they love, for longer.

THANK YOU FOR CHOOSING THE BURO RAIDER ERGONOMIC GAMING CHAIR

Race, raid, and reign supreme - experience it all from the comfort of your Buro Raider Gaming Chair! Level up your play with a body weight activated lumbar support, upholstered back and seat, and more. Backed by a 3-year guarantee and endorsed by the Australian Physiotherapy Association.

FEATURES OF YOUR CHAIR

- High back with built-in headrest
- Upholstered back and seat with moulded foam for superior comfort
- Cable control mechanism provides smooth ergonomic adjustments
- Synchro mechanism enables optimum posture and natural movement
- Tilt tension knob to fine-tune resistance when leaning back in your seat
- Body weight activated lumbar support, protects the natural curve of your lower back
- 3D armrests with soft PU arm pads enhance support during long gaming sessions

- Black nylon base with kick plates to rest your feet
- 60mm castors.

CERTIFICATIONS

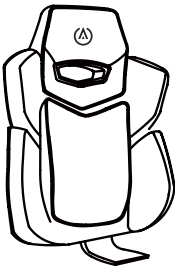
- **GREENGUARD Gold** certification
- Endorsed by the **Australian Physiotherapy Association**
- Certified to **ANSI/BIFMA x5.1-2017** General-Purpose Office Chairs
- **FSC® 100%** certified wood.





WHAT'S IN THE BOX

IMPORTANT: Remove all items from the carton. Verify all pieces before assembly.



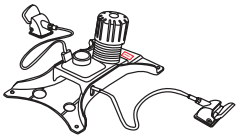
A Back (x1)



B Seat (x1)



C Gas Lift (x1)



D Mechanism (x1)



E Base (x1)



F Castors (x5)



G Arm (L) (x1)



H Arm (R) (x1)



I Allen Key (x1)



J Backrest & Mech Washer 20MM (x8)



K Armrest Washer 18MM (x8)



L Mechanism Screws M8 x 25MM (x2)



M Mechanism Screws M8 x 40MM (x2)



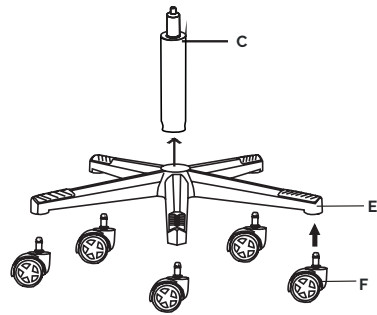
N Armrest Screws 1/4" x 25MM (x8)



O Backrest Screws M8 x 30MM (x4)

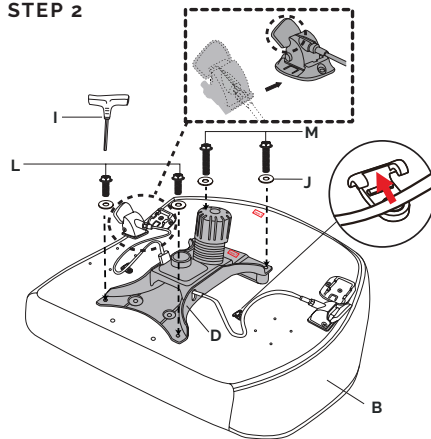
ASSEMBLY GUIDE

STEP 1



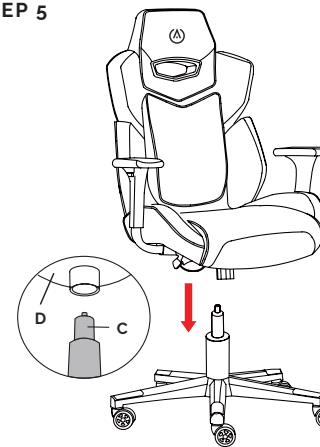
Insert the five castors firmly into the base. Turn the base upright and insert the gas lift into the base.

STEP 2



Attach the mechanism to the seat using two M8 x 25 screws at the back and two M8 x 40 screws at the front. Place a lever in each lever bracket and clip the cables into the cable management.

STEP 5



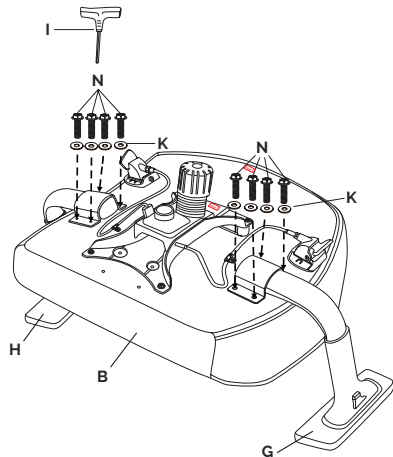
Carefully position the seat onto the gas lift.

STEP 6



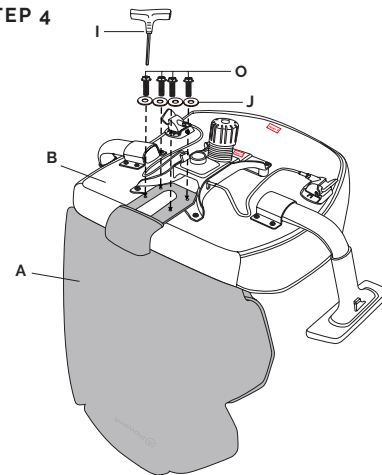
Sit on the seat and press down firmly to ensure the gas lift is fully engaged.

STEP 3



Attach the armrests with four x ¼" x 25mm screws and 18mm washers for each arm.

STEP 4



Attach the seat to the back using four M8 x 30 screws and 20mm washers.

Scan for
assembly
video.



LEVEL UP YOUR COMFORT

Take a few minutes to set up your new **Buro Raider Gaming Chair** so it's perfectly tuned to your body. That way, you'll get the full benefit of its awesome ergonomic features and support.

Follow the step-by-step guide below to dial in your setup for maximum comfort, and next-level gaming sessions.

IMPORTANT: Do not operate the mechanism levers unless properly seated in the chair.

1. Adjustable Seat Height

To adjust the height of the chair, locate the paddle (1) on the right-hand side. To raise the seat, lift the paddle while standing and release at your desired height. To lower the seat, lift the paddle while seated and release at your desired height.



2. Body Weight Tension Adjustment

To adjust the tension of the back tilt function, locate the knob (2) underneath the chair. Turn the knob anticlockwise to lessen the back tension or turn the knob clockwise to increase the back tension, until it is nicely balanced for your body weight.



3. Synchronised Backrest With Lock

To adjust the back tilt, locate the paddle (3) on the left-hand side. Lift the paddle to unlock the backrest, activating the free-floating function. Push the paddle down to lock the back at your desired angle. We recommend using the free-floating function.



4. Adjustable Armrests

To adjust the height of the arms, press the button (4) located on the outside of the armrest and raise or lower the arm. To adjust the position of the arm pad, slide the arm pad forward or backwards.



5. Body-weight Activated Lumbar Support

The lumbar support is activated when pressure from your back engages with the seat. The lumbar support will move with you, continuously supporting your back and spine.



CARE & MAINTENANCE

GENERAL CARE

- To maintain the appearance of non-upholstered parts wipe the surface with a clean cloth dampened with a mild detergent solution.
- Do not remove any parts for separate cleaning
- Do not saturate the fabric or interior with water or other cleaning liquids.
- Do not shampoo clean.
- Do not clean with hot water extraction machine.
- Do not clean with onsite drycleaning machine.
- Protect from direct sunlight, heat and weather.

PU/PVC UPHOLSTERY CARE

- Wipe with a clean cloth dampened with a mild upholstery detergent solution.
- Use only vinyl care products suitable for upholstery vinyl and strictly in accordance with the manufacturer's instructions.
- Spot clean as above.
- Treat spills and stains as soon as possible.
- Persistent stains may require treatment by a professional cleaner.
- Allow to dry thoroughly before reuse.

UPHOLSTERY & FOAM SPECS

Foam

Flame Resistant: Ca117 Section A Part I & Section D Part II

Upholstery: PU/PVC

Flame Resistance: Ca117 Section E Class I

PREVENTATIVE MAINTENANCE & WARNING

- Use this product only for seating one person at a time.
- Do not use this chair as a step stool/ladder.
- Do not sit on any part of the chair except the seat.
- Do not use this chair on uneven floor surfaces.
- Do not interfere with the operating of the gas lift.
- Do not use chair unless all bolts, screws and knobs are tight.
- At least every six months check all bolts, screws and knobs to ensure they are tight.
- If any parts are missing, broken, damaged or worn do not use the product until repairs are made using factory authorised parts.
- Dispose of packaging properly.
- Plastic bag is not a toy.
- Do not use plastic bag as a head covering as it may cause suffocation.
- Failure to follow these warnings could result in serious injury.





Register your Buro
Raider Gaming Chair
for our comprehensive
guarantee.



Endorsed by:

